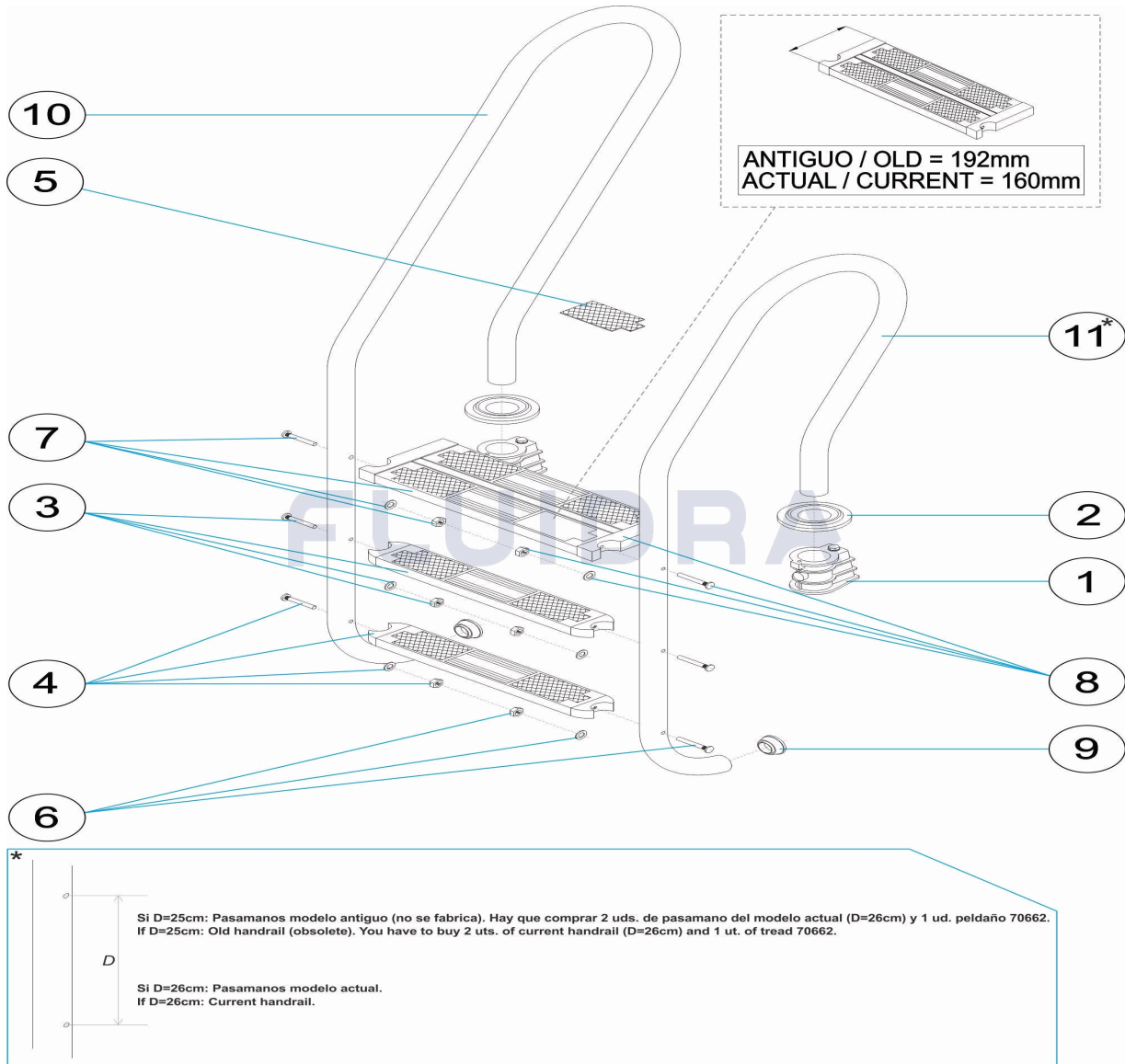


CODIGO 19942, 19943, 19944, 19945

DESCRIPCION: ESCALERA MIXTA ASIMETRICA AISI-316

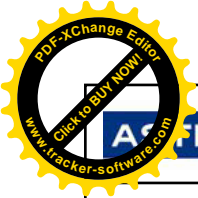
Аквалуп ГК

+7 (777) 1401744
aquapool66@mail.ru,
www.aquapool.kz
www.poolaqua.ru



ESPAÑOL

POS	CODIGO	DESCRIPCION	CANTIDAD	POS	CODIGO	DESCRIPCION	CANTIDAD
1	44010101	ANCLAJE ESCALERA		9	440101012	TOPE ESCALERA	
2	44010103	TAPETA EMBELLECEDORA 316		10	* 05484R0500	PASAMANO MIXTO ASIMETRICO 2 PELD.	
3	44010104	PELDAÑO LUXE 316		10	* 05485R0500	PASAMANO MIXTO ASIMETRICO 3 PELD.	
4	44010107	SOPORTE LATERAL PELDAÑO 316		10	* 05486R0500	PASAMANO MIXTO ASIMETRICO 4 PELD.	
5	44010108	TAPETA PELDAÑO LUXE		10	* 05487R0500	PASAMANO MIXTO ASIMETRICO 5 PELD.	
6	44010111	TORNILLERIA PELDAÑO 316		11	* 05484R0001	PASAMANO ESCALERA 2 PELDAÑOS AISI-3	
7	* 44010805	PELDAÑO SEGURIDAD 316		11	* 05485R0001	PASAMANOS 3 PELDAÑOS AISI 316	
7	* 70662	PELDAÑO SEGURIDAD		11	* 05486R0001	PASAMANO ESCALERA 4 PELDAÑOS AISI-3	
8	* 44010807	SOPORTE LATERAL SEGURIDAD		11	* 05487R0001	PASAMANO ESCALERA 5 PELDAÑOS AISI-3	
8	* 44010028	SOPORTE LATERAL SEGURIDAD					



DESPIECE

REV.: 2
FECHA: 28/05/2019
HOJA: 2/2

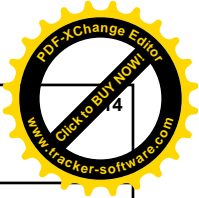
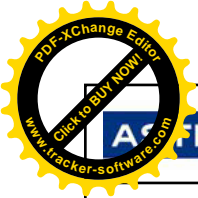
CODIGO **19942, 19943, 19944, 19945**

DESCRIPCION: **ESCALERA MIXTA ASIMETRICA AISI-316**

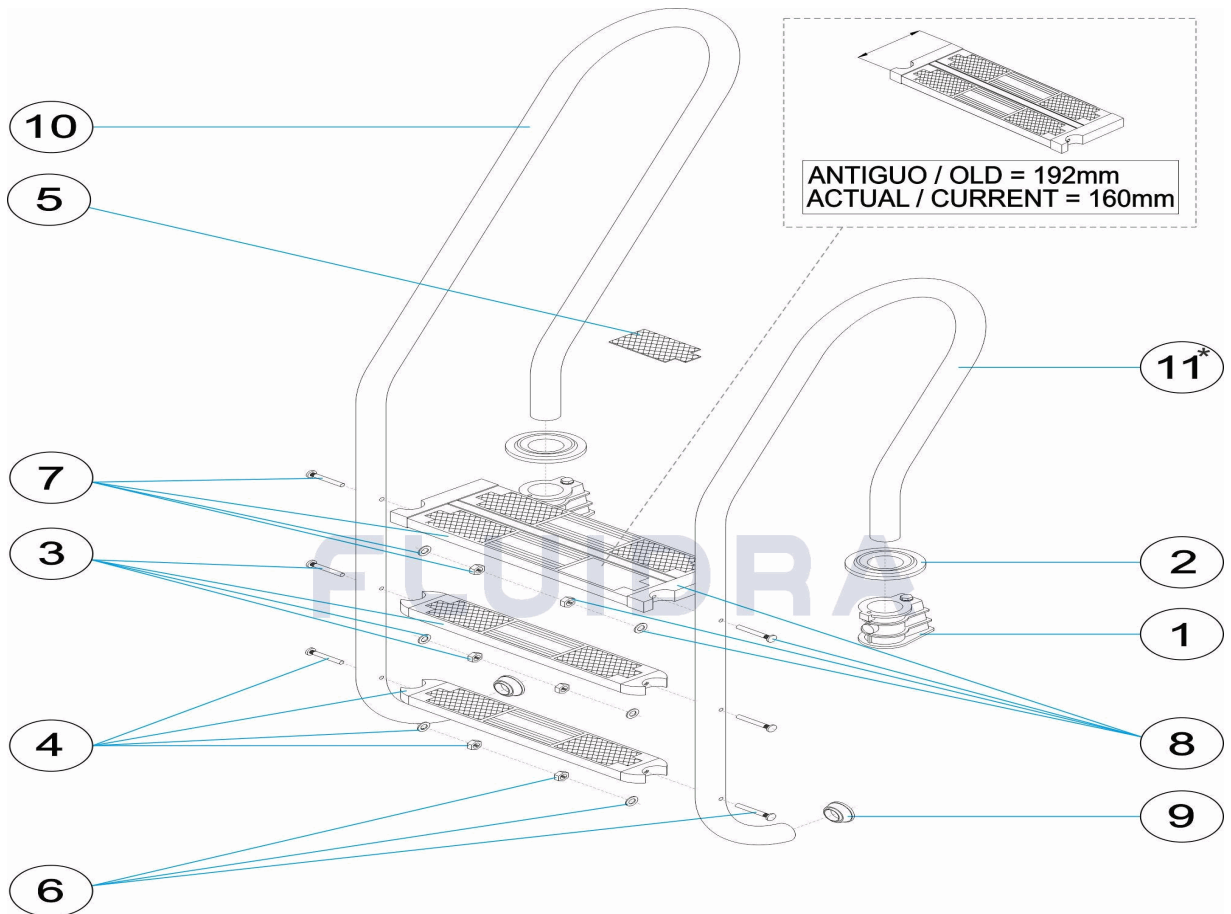


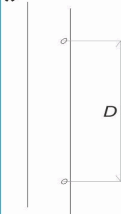
OBSERVACIONES

POS	CODIGO	OBSERVACIONES
7	* 4401010805	PARA: MIRAR COMENTARIOS * / SEE COMMENTS *
7	* 70662	PARA: MIRAR COMENTARIOS * / SEE COMMENTS *
8	* 4401010807	PARA: MODELO ANTIGUO / OLD MODEL
8	* 4401010028	PARA: MODELO ACTUAL / CURRENT MODEL
10	* 05484R0500	PARA: 19942 MIRAR COMENTARIOS * / SEE COMMENTS *
10	* 05485R0500	PARA: 19943 MIRAR COMENTARIOS * / SEE COMMENTS *
10	* 05486R0500	PARA: 19944 MIRAR COMENTARIOS * / SEE COMMENTS *
10	* 05487R0500	PARA: 19945 MIRAR COMENTARIOS * / SEE COMMENTS *
11	* 05484R0001	PARA: 19942 MIRAR COMENTARIOS * / SEE COMMENTS *
11	* 05485R0001	PARA: 19943 MIRAR COMENTARIOS * / SEE COMMENTS *
11	* 05486R0001	PARA: 19944 MIRAR COMENTARIOS * / SEE COMMENTS *
11	* 05487R0001	PARA: 19945 MIRAR COMENTARIOS * / SEE COMMENTS *



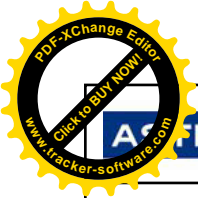
CODE 19942, 19943, 19944, 19945
DESCRIPTION: ÉCHELLE MIXTE ASYMÉTRIQUE AISI-316



*

 Si D=25cm: Pasamanos modelo antiguo (no se fabrica). Hay que comprar 2 uds. de pasamano del modelo actual (D=26cm) y 1 ud. peldaño 70662.
 If D=25cm: Old handrail (obsolete). You have to buy 2 uts. of current handrail (D=26cm) and 1 ut. of tread 70662.
 Si D=26cm: Pasamanos modelo actual.
 If D=26cm: Current handrail.

FRANCAIS

POS	CODE	DESCRIPTION	QUANTITE	POS	CODE	DESCRIPTION	QUANTITE
1	44010101	ANCORAGE D'ÉCHELLE		9	4401010112	TAMPON D'ÉCHELLE	
2	44010103	ENJOLIVEUR AISI 316		10	* 05484R0500	MAIN COURANTE MIXTE ASYMETRIQUE 2 I	
3	44010104	MARCHE LUXE AISI 316		10	* 05485R0500	MAIN COURANTE MIXTE ASYMETRIQUE 3 I	
4	44010107	SUPPORT LATÉRAL DE MARCHE 316		10	* 05486R0500	MAIN COURANTE MIXTE ASYMETRIQUE 4 I	
5	44010108	PLAQUE NOIRE POUR MARCHE LUXE		10	* 05487R0500	MAIN COURANTE MIXTE ASYMETRIQUE 5 I	
6	44010111	VISSERIE MARCHE AISI 316		11	* 05484R0001	MAIN COURANTE ECHELLE 2 MARCHES AI	
7	* 44010805	MARCHE DE SECURITE AISI 316		11	* 05485R0001	MAIN COURANTE ECHELLE 3 MARCHES AI	
7	* 70662	MARCHE DE SECURITE		11	* 05486R0001	MAIN COURANTE ECHELLE 4 MARCHES AI	
8	* 44010807	SUPPORT LATERAL DE SECURITE		11	* 05487R0001	MAIN COURANTE ECHELLE 5 MARCHES AI	
8	* 44010028	SUPPORT LATERAL DE SECURITE					



ÉCLATÉ

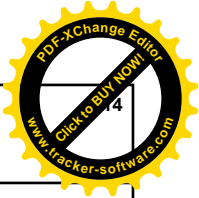
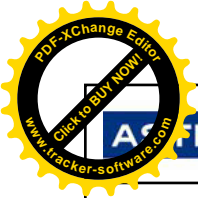
REV.: 2
DATE: 28/05/2019
PAG.: 2/2

CODE **19942, 19943, 19944, 19945**
DESCRIPTION: **ÉCHELLE MIXTE ASYMÉTRIQUE AISI-316**



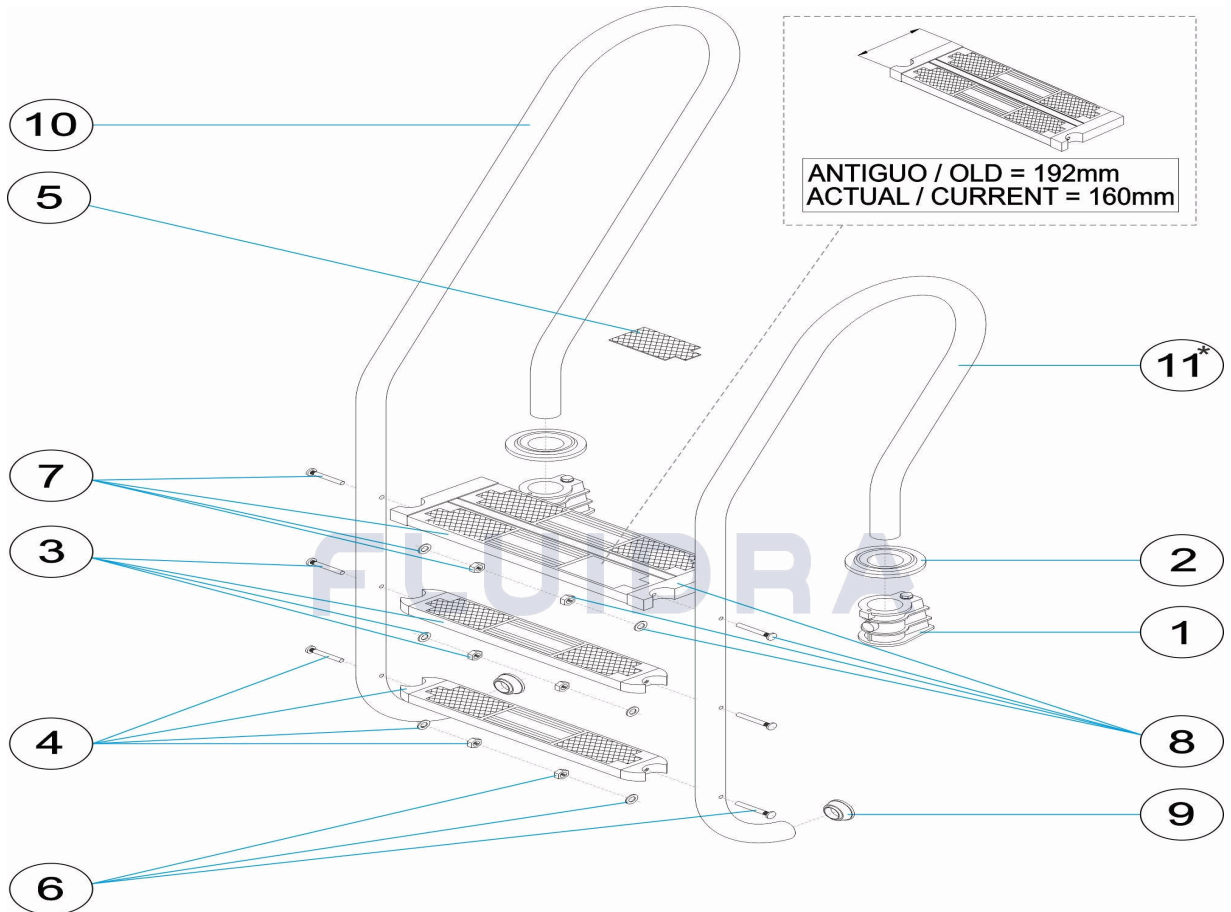
OBSERVATIONS

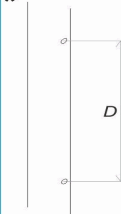
POS	CODE	OBSERVATIONS
7	* 4401010805	POUR: MIRAR COMENTARIOS * / SEE COMMENTS *
7	* 70662	POUR: MIRAR COMENTARIOS * / SEE COMMENTS *
8	* 4401010807	POUR: MODELO ANTIGUO / OLD MODEL
8	* 4401010028	POUR: MODELO ACTUAL / CURRENT MODEL
10	* 05484R0500	POUR: 19942 MIRAR COMENTARIOS * / SEE COMMENTS *
10	* 05485R0500	POUR: 19943 MIRAR COMENTARIOS * / SEE COMMENTS *
10	* 05486R0500	POUR: 19944 MIRAR COMENTARIOS * / SEE COMMENTS *
10	* 05487R0500	POUR: 19945 MIRAR COMENTARIOS * / SEE COMMENTS *
11	* 05484R0001	POUR: 19942 MIRAR COMENTARIOS * / SEE COMMENTS *
11	* 05485R0001	POUR: 19943 MIRAR COMENTARIOS * / SEE COMMENTS *
11	* 05486R0001	POUR: 19944 MIRAR COMENTARIOS * / SEE COMMENTS *
11	* 05487R0001	POUR: 19945 MIRAR COMENTARIOS * / SEE COMMENTS *



CODE 19942, 19943, 19944, 19945

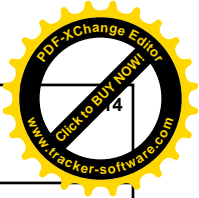
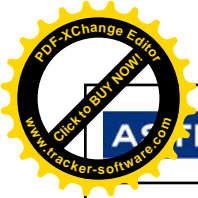
DESCRIPTION: NONSYMMETRICAL MIX LADDER AISI-316



*

 Si D=25cm: Pasamanos modelo antiguo (no se fabrica). Hay que comprar 2 uds. de pasamano del modelo actual (D=26cm) y 1 ud. peldaño 70662.
 If D=25cm: Old handrail (obsolete). You have to buy 2 uts. of current handrail (D=26cm) and 1 ut. of tread 70662.
 Si D=26cm: Pasamanos modelo actual.
 If D=26cm: Current handrail.

ENGLISH

POS	CODE	DESCRIPTION	QUANTITY	POS	CODE	DESCRIPTION	QUANTITY
1	44010101	LADDER ANCHOR		9	4401010112	LADDER END CAP	
2	44010103	ESCUTCHEON 316		10	* 05484R0500	ASYMMETRIC MIX HANDRAIL 2 STEPS	
3	44010104	DELUXE TREAD 316		10	* 05485R0500	ASYMMETRIC MIX HANDRAIL 3 STEPS	
4	44010107	TREAD END SET 316		10	* 05486R0500	ASYMMETRIC MIX HANDRAIL 4 STEPS	
5	44010108	DELUXE TREAD END INSERT		10	* 05487R0500	ASYMMETRIC MIX HANDRAIL 5 STEPS	
6	44010111	TREAD BOLT SET 316		11	* 05484R0001	HANDRAIL LADDER 2 STEPS AISI-316	
7	* 44010805	SAFETY TREAD 316		11	* 05485R0001	HANDRAIL 3 STEPS AISI-316	
7	* 70662	SAFETY TREAD		11	* 05486R0001	HANDRAIL LADDER 4 STEPS AISI-316	
8	* 44010807	SAFETY TREAD END SET		11	* 05487R0001	HANDRAIL LADDER 5 STEPS AISI-316	
8	* 44010028	SAFETY TREAD END SET					



PARTS BREAKDOWN

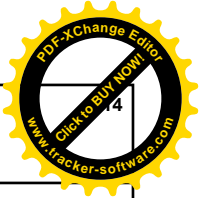
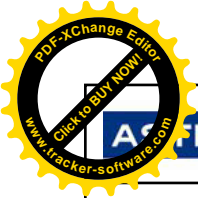
REV.: 2
DATE: 28/05/2019
SHEET: 2/2

CODE **19942, 19943, 19944, 19945**
DESCRIPTION: **NONSYMMETRICAL MIX LADDER AISI-316**

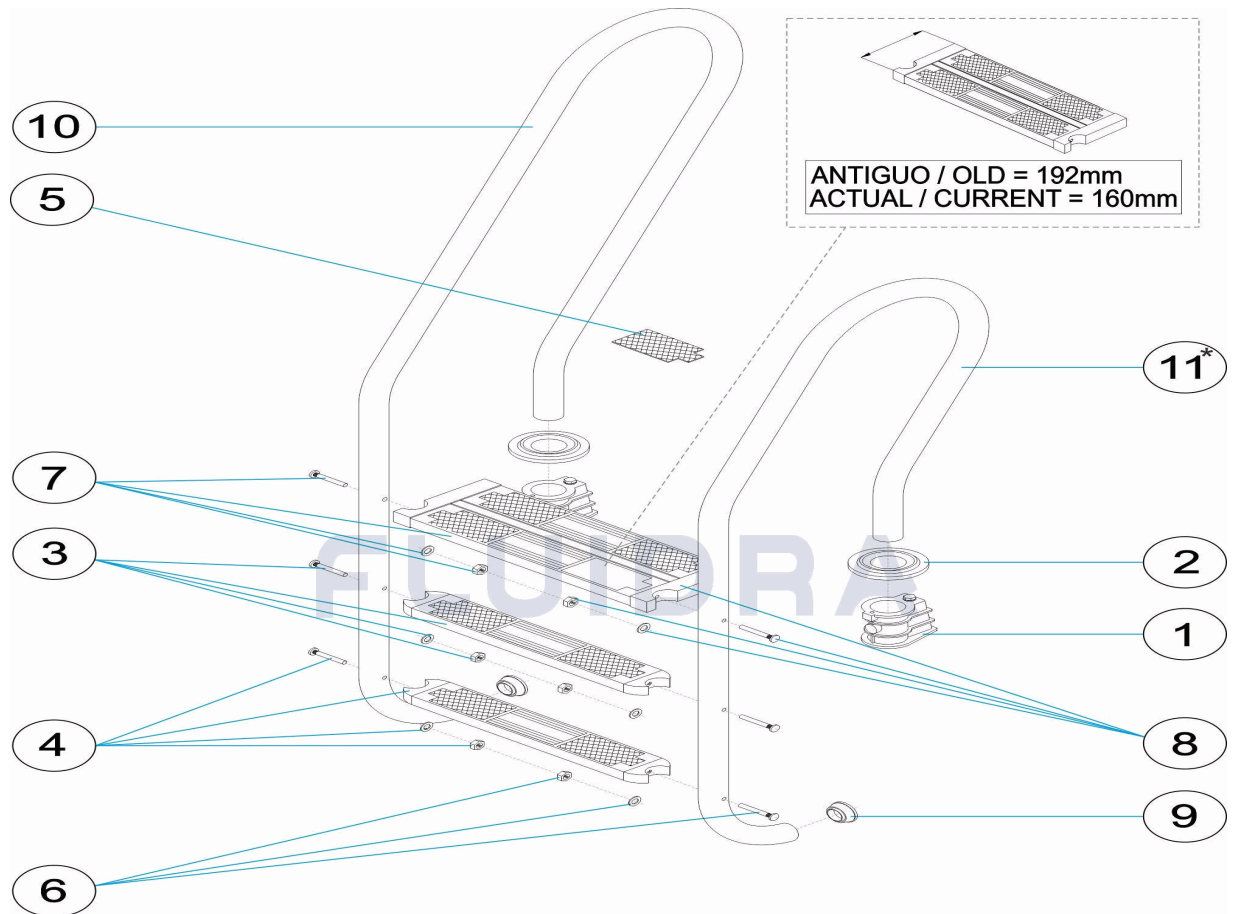



OBSERVATIONS

POS	CODE	OBSERVATIONS
7	* 4401010805	FOR: MIRAR COMENTARIOS * / SEE COMMENTS *
7	* 70662	FOR: MIRAR COMENTARIOS * / SEE COMMENTS *
8	* 4401010807	FOR: MODELO ANTIGUO / OLD MODEL
8	* 4401010028	FOR: MODELO ACTUAL / CURRENT MODEL
10	* 05484R0500	FOR: 19942 MIRAR COMENTARIOS * / SEE COMMENTS *
10	* 05485R0500	FOR: 19943 MIRAR COMENTARIOS * / SEE COMMENTS *
10	* 05486R0500	FOR: 19944 MIRAR COMENTARIOS * / SEE COMMENTS *
10	* 05487R0500	FOR: 19945 MIRAR COMENTARIOS * / SEE COMMENTS *
11	* 05484R0001	FOR: 19942 MIRAR COMENTARIOS * / SEE COMMENTS *
11	* 05485R0001	FOR: 19943 MIRAR COMENTARIOS * / SEE COMMENTS *
11	* 05486R0001	FOR: 19944 MIRAR COMENTARIOS * / SEE COMMENTS *
11	* 05487R0001	FOR: 19945 MIRAR COMENTARIOS * / SEE COMMENTS *



CODICE 19942, 19943, 19944, 19945
DESCRIZIONE: SCALA MISTA ASIMMETRICA AISI-316



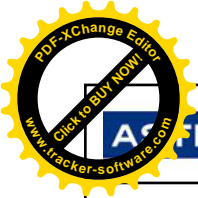
*

 Si D=25cm: Pasamanos modelo antiguo (no se fabrica). Hay que comprar 2 uds. de pasamano del modelo actual (D=26cm) y 1 ud. peldaño 70662.
 If D=25cm: Old handrail (obsolete). You have to buy 2 uts. of current handrail (D=26cm) and 1 ut. of tread 70662.

Si D=26cm: Pasamanos modelo actual.
 If D=26cm: Current handrail.

ITALIANO

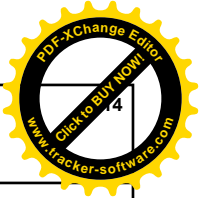
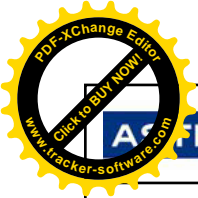
POS	CODICE	DESCRIZIONE	QUANTITA'	POS	CODICE	DESCRIZIONE	QUANTITA'
1	44010101	ANCORAGGIO SCALA		9	440101012	TAPPO SCALA	
2	44010103	COPRIFLANGIA ANCORAGGIO AISI 316		10	* 05484R0500	CORRIMANO MISTO ASIMMETRICO 2 GRAD	
3	44010104	GRADINO LUXE AISI 316		10	* 05485R0500	CORRIMANO MISTO ASIMMETRICO 3 GRAD	
4	44010107	SOSTEGNO LATERALE GRADINO 316		10	* 05486R0500	CORRIMANO MISTO ASIMMETRICO 4 GRAD	
5	44010108	TAPPETINO FINITURA GRADINO LUXE		10	* 05487R0500	CORRIMANO MISTO ASIMMETRICO 5 GRAD	
6	44010111	BULLONERIA GRADINO AISI 316		11	* 05484R0001	CORRIMANO SCALA 2 GRADINI AISI-316	
7	* 44010805	GRADINO DI SICUREZZA AISI 316		11	* 05485R0001	CORRIMANO 3 GRADINI AISI 316	
7	* 70662	GRADINO DI SICUREZZA		11	* 05486R0001	CORRIMANO SCALA 4 GRADINI AISI-316	
8	* 44010807	SUPPORTO LATERALE SICUREZZA		11	* 05487R0001	CORRIMANO SCALA 5 GRADINI AISI-316	
8	* 44010028	SUPPORTO LATERALE SICUREZZA					

* SI FACCIA RIFERIMENTO AL FOGLIO DELLE OSSERVAZIONI

CODICE **19942, 19943, 19944, 19945**DESCRIZIONE: **SCALA MISTA ASIMMETRICA AISI-316**

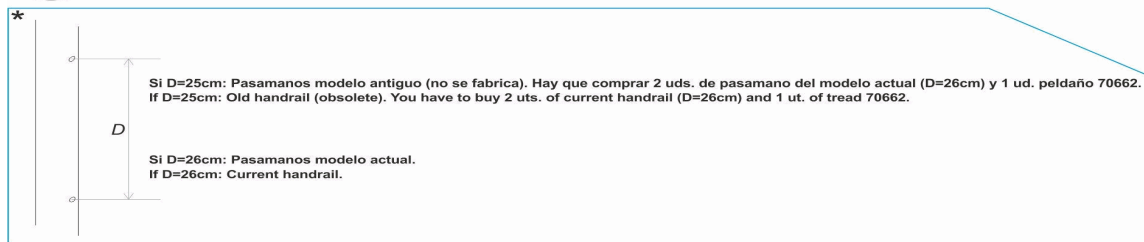
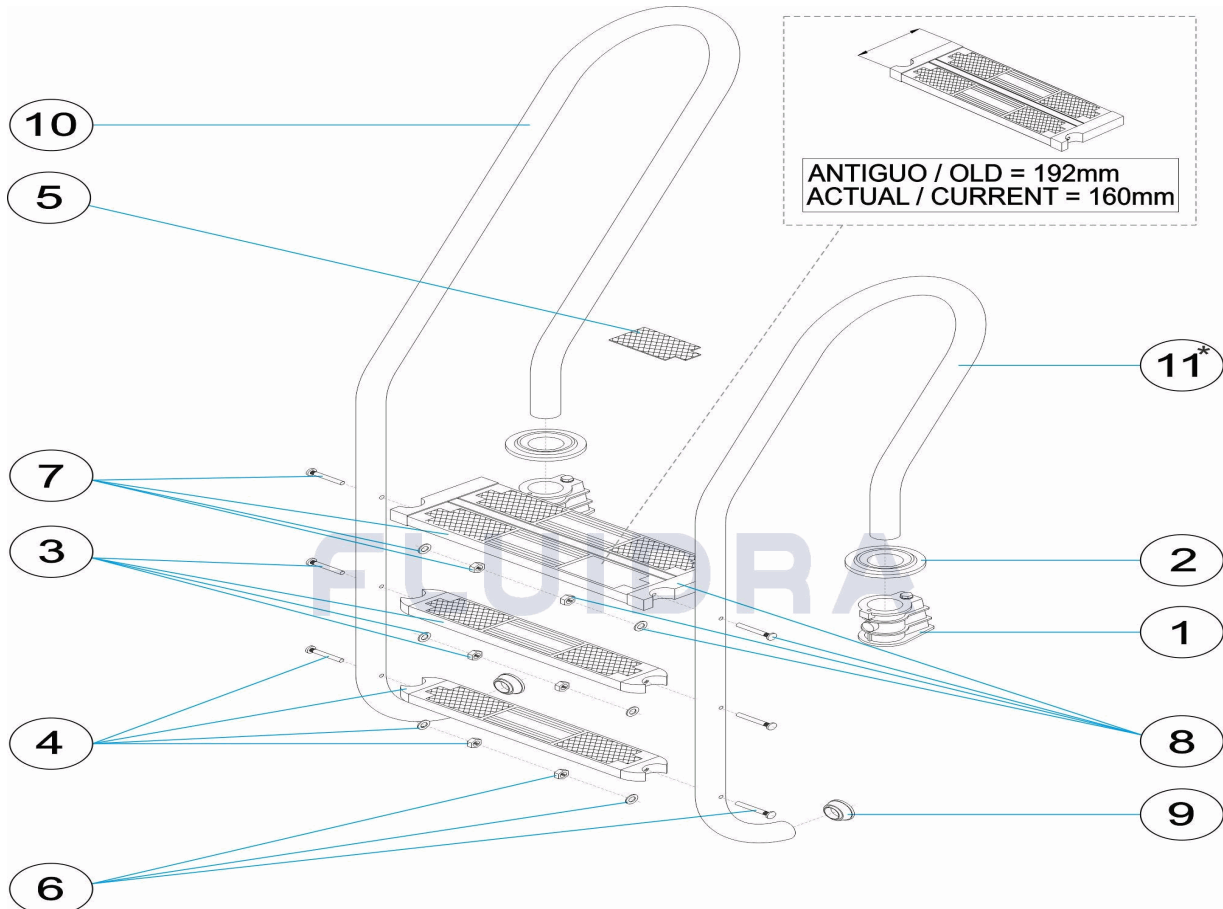
OSSERVAZIONI

POS	CODICE	OSSERVAZIONI
7	* 4401010805	PER: MIRAR COMENTARIOS * / SEE COMMENTS *
7	* 70662	PER: MIRAR COMENTARIOS * / SEE COMMENTS *
8	* 4401010807	PER: MODELO ANTIGUO / OLD MODEL
8	* 4401010028	PER: MODELO ACTUAL / CURRENT MODEL
10	* 05484R0500	PER: 19942 MIRAR COMENTARIOS * / SEE COMMENTS *
10	* 05485R0500	PER: 19943 MIRAR COMENTARIOS * / SEE COMMENTS *
10	* 05486R0500	PER: 19944 MIRAR COMENTARIOS * / SEE COMMENTS *
10	* 05487R0500	PER: 19945 MIRAR COMENTARIOS * / SEE COMMENTS *
11	* 05484R0001	PER: 19942 MIRAR COMENTARIOS * / SEE COMMENTS *
11	* 05485R0001	PER: 19943 MIRAR COMENTARIOS * / SEE COMMENTS *
11	* 05486R0001	PER: 19944 MIRAR COMENTARIOS * / SEE COMMENTS *
11	* 05487R0001	PER: 19945 MIRAR COMENTARIOS * / SEE COMMENTS *



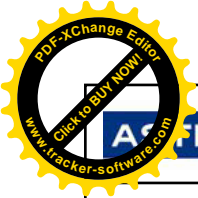
CODE 19942, 19943, 19944, 19945

BESCHREIBUNG: TREPPE GEMISCHT ASYMMETRISCH AISI-316



DEUTSCH

POS	CODE	BESCHREIBUNG	MENGE	POS	CODE	BESCHREIBUNG	MENGE
1	44010101	EINBAUHÜLSE		9	4401010112	ABSCHLUSS TREPPE	
2	44010103	DEKO-ABSCHLUSSRING 316		10	* 05484R0500	HANDLAUF KOMBI ASYMMETRISCH 2 STUF	
3	44010104	STUFE LUXE 316		10	* 05485R0500	HANDLAUF KOMBI ASYMMETRISCH 3 STUF	
4	44010107	SEITENHALTERUNG STUFE 316		10	* 05486R0500	HANDLAUF KOMBI ASYMMETRISCH 4 STUF	
5	44010108	ABSCHLUSSPLATTE STUFE LUXE		10	* 05487R0500	HANDLAUF KOMBI ASYMMETRISCH 5 STUF	
6	44010111	SCHRAUBENSATZ STUFE 316		11	* 05484R0001	HANDLAUF TREPPE 2 STUFEN AISI - 316	
7	* 4401010805	SICHERHEITSSTUFE 316		11	* 05485R0001	HANDLAUF 3 STUFEN AISI 316	
7	* 70662	SICHERHEITSSTUFE		11	* 05486R0001	HANDLAUF TREPPE 4 STUFEN AISI - 316	
8	* 4401010807	SICHERHEITSHALTERUNG SEITLICH		11	* 05487R0001	HANDLAUF TREPPE 5 STUFEN AISI - 316	
8	* 4401010028	SICHERHEITSHALTERUNG SEITLICH					

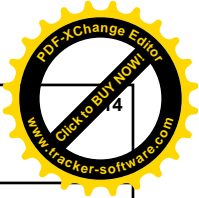
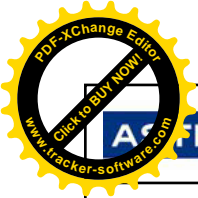


CODE **19942, 19943, 19944, 19945**

BESCHREIBUNG: **TREPPE GEMISCHT ASYMMETRISCH AISI-316**

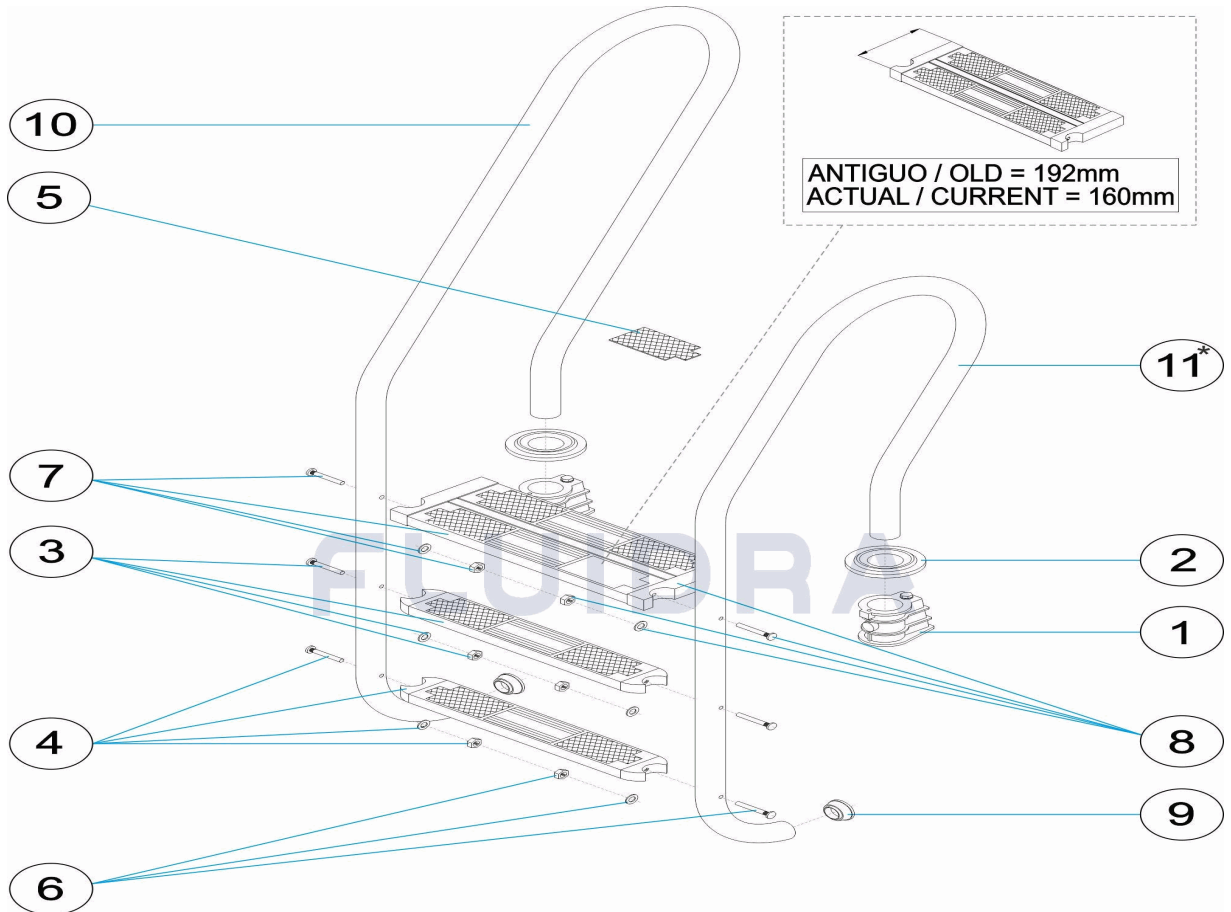
HINWEISE

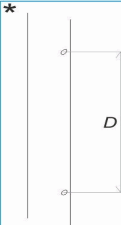
POS	CODE	HINWEISE
7	* 4401010805	FÜR: MIRAR COMENTARIOS * / SEE COMMENTS *
7	* 70662	FÜR: MIRAR COMENTARIOS * / SEE COMMENTS *
8	* 4401010807	FÜR: MODELO ANTIGUO / OLD MODEL
8	* 4401010028	FÜR: MODELO ACTUAL / CURRENT MODEL
10	* 05484R0500	FÜR: 19942 MIRAR COMENTARIOS * / SEE COMMENTS *
10	* 05485R0500	FÜR: 19943 MIRAR COMENTARIOS * / SEE COMMENTS *
10	* 05486R0500	FÜR: 19944 MIRAR COMENTARIOS * / SEE COMMENTS *
10	* 05487R0500	FÜR: 19945 MIRAR COMENTARIOS * / SEE COMMENTS *
11	* 05484R0001	FÜR: 19942 MIRAR COMENTARIOS * / SEE COMMENTS *
11	* 05485R0001	FÜR: 19943 MIRAR COMENTARIOS * / SEE COMMENTS *
11	* 05486R0001	FÜR: 19944 MIRAR COMENTARIOS * / SEE COMMENTS *
11	* 05487R0001	FÜR: 19945 MIRAR COMENTARIOS * / SEE COMMENTS *



CODIGO 19942, 19943, 19944, 19945

DESCRIÇÃO: ESCADA MISTA ASSIMÉTRICA AISI-316

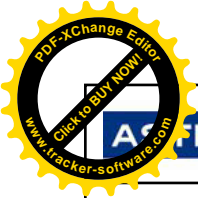


*

 Si D=25cm: Pasamanos modelo antiguo (no se fabrica). Hay que comprar 2 uds. de pasamano del modelo actual (D=26cm) y 1 ud. peldaño 70662.
 If D=25cm: Old handrail (obsolete). You have to buy 2 uds. of current handrail (D=26cm) and 1 ud. of tread 70662.

Si D=26cm: Pasamanos modelo actual.
 If D=26cm: Current handrail.

PORTUGUES

POS	CODIGO	DESCRIÇÃO	JANTIDADE	POS	CODIGO	DESCRIÇÃO	JANTIDADE
1	44010101	ÂNCORA		9	4401010112	BATENTE ESCADA	
2	44010103	ESPELHO 316		10	* 05484R0500	CORRIMÃO MISTO ASSIMÉTRICO 2 DEGR.	
3	44010104	DEGRAU LUXE 316		10	* 05485R0500	CORRIMÃO MISTO ASSIMÉTRICO 3 DEGR.	
4	44010107	SUPORTE LATERAL DEGRAU 316		10	* 05486R0500	CORRIMÃO MISTO ASSIMÉTRICO 4 DEGR.	
5	44010108	ANTI DERRAPANTE DEGRAU LUXE		10	* 05487R0500	CORRIMÃO MISTO ASSIMÉTRICO 5 DEGR.	
6	44010111	PARAFUSOS DEGRAU 316		11	* 05484R0001	CORRIMÃO ESCADA 2 DEGRAUS AISI-316	
7	* 44010805	DEGRAU SEGURANÇA 316		11	* 05485R0001	CORRIMÃO 3 DEGRAUS AISI 316	
7	* 70662	DEGRAU SEGURANÇA		11	* 05486R0001	CORRIMÃO ESCADA 4 DEGRAUS AISI-316	
8	* 44010807	SUPORTE LATERAL SEGURANÇA		11	* 05487R0001	CORRIMÃO ESCADA 5 DEGRAUS AISI-316	
8	* 44010028	SUPORTE LATERAL SEGURANÇA					



ITEM

REV.: 2
DATA: 28/05/2019
FOLHA: 2/2

CODIGO **19942, 19943, 19944, 19945**

DESCRIÇÃO: ESCADA MISTA ASSIMÉTRICA AISI-316

OBSERVAÇÕES

POS	CODIGO	OBSERVAÇÕES
7	* 4401010805	PARA: MIRAR COMENTARIOS * / SEE COMMENTS *
7	* 70662	PARA: MIRAR COMENTARIOS * / SEE COMMENTS *
8	* 4401010807	PARA: MODELO ANTIGUO / OLD MODEL
8	* 4401010028	PARA: MODELO ACTUAL / CURRENT MODEL
10	* 05484R0500	PARA: 19942 MIRAR COMENTARIOS * / SEE COMMENTS *
10	* 05485R0500	PARA: 19943 MIRAR COMENTARIOS * / SEE COMMENTS *
10	* 05486R0500	PARA: 19944 MIRAR COMENTARIOS * / SEE COMMENTS *
10	* 05487R0500	PARA: 19945 MIRAR COMENTARIOS * / SEE COMMENTS *
11	* 05484R0001	PARA: 19942 MIRAR COMENTARIOS * / SEE COMMENTS *
11	* 05485R0001	PARA: 19943 MIRAR COMENTARIOS * / SEE COMMENTS *
11	* 05486R0001	PARA: 19944 MIRAR COMENTARIOS * / SEE COMMENTS *
11	* 05487R0001	PARA: 19945 MIRAR COMENTARIOS * / SEE COMMENTS *